

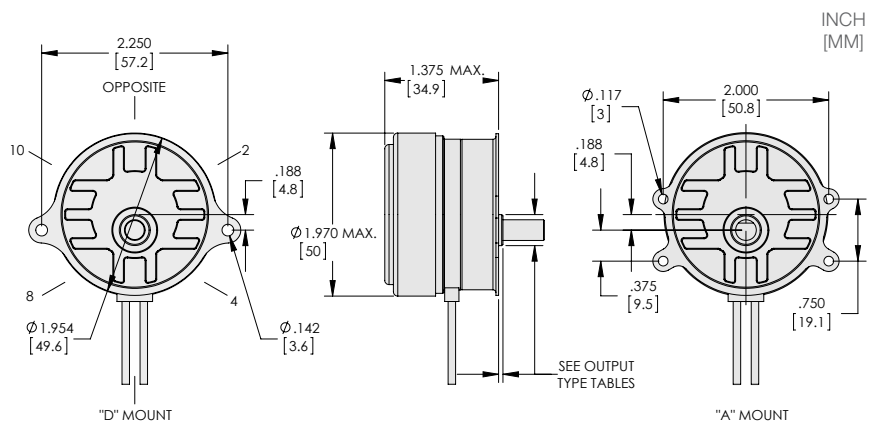
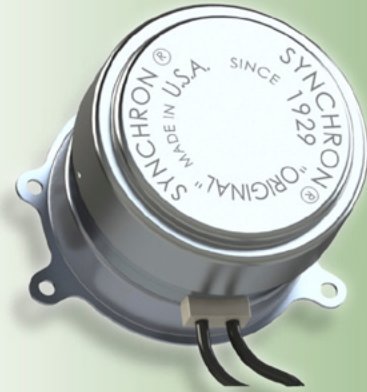


PRODUCT FEATURES:

- Motor Speed: Turns 600 RPM @ 60Hz and 500 RPM @ 50Hz
- Impedence protected coils
- Class B rated for insulation, Class F available as an option
- AC voltage only
- Motor speeds of 1 RPM and faster can be stalled without electrical or mechanical damage (as long as voltage supply is to spec)
- Available Coil Wattages: 3W, 4W, 5W, 6W
- Voltages from 12V to 277V available
- Available in clockwise or counter-clockwise rotation
- Speeds from 360 RPM to 48 RPH available
- Wide selection of output option offerings
- Connector/terminals available
- Four hole "A" or two hole "D" mounting option
- Available with operational 1-way clutch for resetting or 2-way clutch for gear train protection, in 6 RPM and slower speeds

TYPICAL APPLICATIONS:

- Damper Controls
- Clocks
- Valve Controls
- Mechanical Timers
- Time Stamps
- Chart Recorders
- POP Displays



STANDARD OPTIONS AVAILABLE:

*SHAFT ROTATION	VOLTAGE	WATTAGE	SPEED	OUTPUT TYPE
CW	24	3	1 RPM	See Output Selection Tables
CCW	110	4	2 RPM	
	220	5	4 RPM	
		6	6 RPM	
			10 RPM	
			30 RPM	
			60 RPM	
	**		**	**

* Rotation when looking at shaft

** Other Options Available - Consult Factory

600 Series

(Round Gearbox)

Synchron A & D Mount



PERFORMANCE

GEARTRAIN	SPEED @ 60 HZ	3 WATTS	4 WATTS	5 WATTS	6 WATTS
		STARTING TORQUE (RATED VOLTAGE)	STARTING TORQUE (RATED VOLTAGE)	STARTING TORQUE (RATED VOLTAGE)	STARTING TORQUE (RATED VOLTAGE)
RATIO:1	REV/MIN	IN-OZ	IN-OZ	IN-OZ	IN-OZ
10	60	0.13	0.3	0.5	0.7
20	30	0.26	0.7	1.0	1.3
60	10	0.8	2.0	3.0	4.0
100	6	1.3	3.3	5.0	6.7
150	4	2.0	5.0	7.5	10.0
300	2	4.0	10.0	15.0	20.0
600	1	8.0	20.0	30.0	40.0

Custom Shafts



Lead Orientations



600 SERIES MOTOR OPTIONS

INCH
[MM]

