

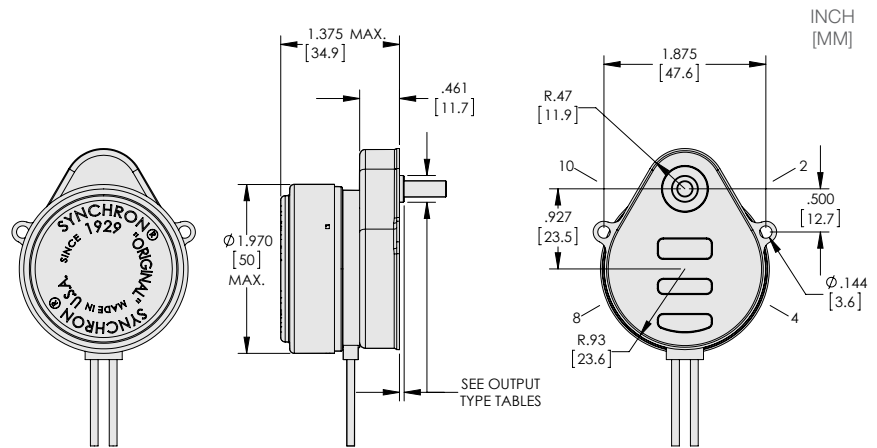


PRODUCT FEATURES:

- Motor Speed: Turns 600 RPM @ 60Hz and 500 RPM @ 50Hz
- Impedence protected coils
- Class B rated for insulation, Class F available as an option
- AC voltage only
- Motor speeds of 1 RPM and faster can be stalled without electrical or mechanical damage (as long as voltage supply is to spec)
- Available Coil Wattages: 3W, 4W, 5W, 6W
- Voltages from 12V to 277V available
- Available in clockwise or counter-clockwise rotation
- Speeds from 360 to 12 revolutions per day available
- Wide selection of output option offerings
- Connector/terminals available
- Available with operational 1-way clutch for resetting or 2-way clutch for gear train protection, in 6 RPM and slower speeds

TYPICAL APPLICATIONS:

- Damper Controls
- Clocks
- Valve Controls
- Mechanical Timers
- Time Stamps
- Chart Recorders
- POP Displays



STANDARD OPTIONS AVAILABLE:

*SHAFT ROTATION	VOLTAGE	WATTAGE	SPEED	OUTPUT TYPE
CW	24	3	1 RPH	See Output Selection Tables
CCW	110	4	10 RPH	
	220	5	30 RPH	
		6	1 RPM	
			2 RPM	
			4 RPM	
			6 RPM	
			10 RPM	
	**		**	**

* Rotation when looking at shaft

** Other Options Available - Consult Factory

600 Series

(Shallow Pear Shaped Gearbox)

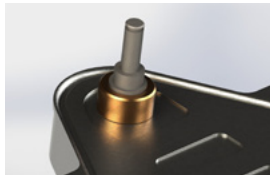
Synchron C Mount



PERFORMANCE

			3 WATTS	4 WATTS	5 WATTS	6 WATTS
GEARTRAIN	SPEED @ 60 HZ		STARTING TORQUE (RATED VOLTAGE)	STARTING TORQUE (RATED VOLTAGE)	STARTING TORQUE (RATED VOLTAGE)	STARTING TORQUE (RATED VOLTAGE)
	RATIO:1	REV/MIN	REV/HR	IN-OZ	IN-OZ	IN-OZ
60	10		0.8	2.0	3.0	4.0
100	6		1.3	3.3	5.0	6.7
150	4		2.0	5.0	7.5	10.0
300	2		4.0	10.0	15.0	20.0
600	1		8.0	20.0	30.0	40.0
1,200		30	16.0	25.0	30.0	40.0
3,600		10	20.0	25.0	30.0	40.0
36,000		1	20.0	25.0	30.0	40.0

Custom Shafts



Lead Orientations



600 SERIES MOTOR OPTIONS

INCH
[MM]

