

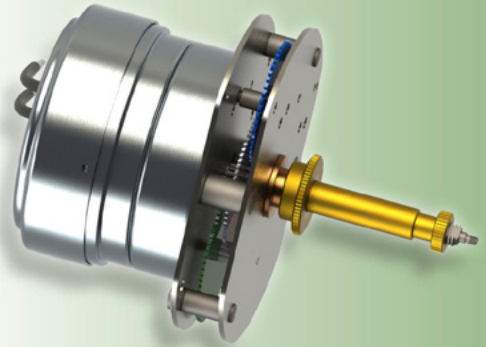


**STANDARD FEATURES:**

- Incorporates the synchron motor on a movement train
- Provides for a sweep second-hand and split-second accuracy
- AC voltage only
- Voltages from 24V to 240V available
- 24-hour movement available on some Type "C" movement models
- Type "C" movement is a brass movement with smooth continuous motion
- Type "D" movement uses aluminum plates for a simple clock movement with smooth continuous motion
- Self-resetting option is available with the "C" movement for customers who need to synchronize multiple clocks to a single master clock

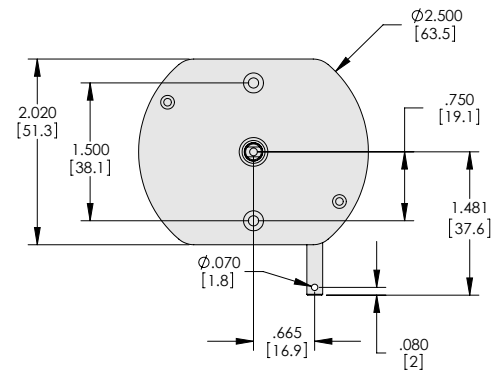
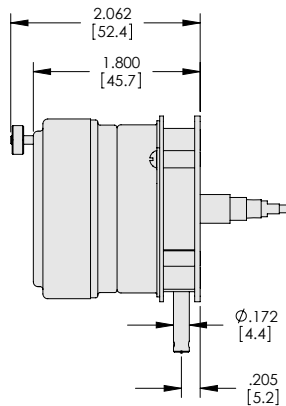
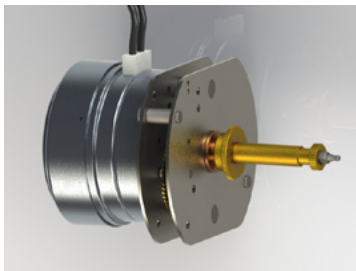
**TYPICAL APPLICATIONS:**

- Masterclock Systems
- Household/Decorative Clocks
- Timer Clocks



**D Mount**

INCH  
[MM]



**PERFORMANCE**

MODEL	CENTER ASSEMBLY			HOUR TUBE				MINUTE TUBE					SECOND SHAFT			CENTER MOUNTING AVAILABLE
	OVER-ALL LENGTH	HUB LENGTH	HUB DIAMETER	LENGTH	LARGE DIAMETER OF TAPER	SMALL DIAMETER OF TAPER	TAPER LENGTH	LENGTH	DIAMETER	THREAD	FLAT LENGTH	FLAT THICKNESS	LENGTH	THREAD	THREAD LENGTH	
C1/D1	0.514	0.040	0.312	0.169	0.159	0.157	0.135	0.169	0.125	6-32	0.105	0.084	0.135	1-56	0.090	No
C2/D2	0.764	0.125	0.312	0.335	0.159	0.157	0.185	0.169	0.125	6-32	0.105	0.084	0.135	1-56	0.090	Yes
C3/D3	0.889	0.125	0.312	0.460	0.159	0.157	0.185	0.169	0.125	6-32	0.105	0.084	0.135	1-56	0.090	Yes
C4/D4	1.014	0.325	0.312	0.358	0.201	0.197	0.160	0.196	0.172	10-32	0.130	0.108	0.135	2-56	0.090	Yes
C5/D5	1.389	0.325	0.312	0.733	0.201	0.197	0.160	0.196	0.172	10-32	0.130	0.108	0.135	2-56	0.090	Yes
C7/D7	2.014	0.750	0.312	0.933	0.201	0.197	0.160	0.196	0.172	10-32	0.130	0.108	0.135	2-56	0.090	No
C8/D8	2.639	0.750	0.312	1.558	0.201	0.197	0.160	0.196	0.172	10-32	0.130	0.108	0.135	2-56	0.090	No