

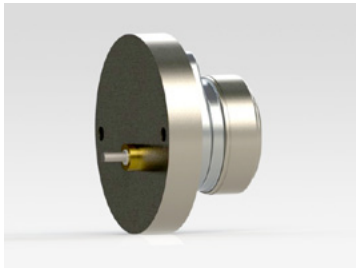


**STANDARD FEATURES:**

- Incorporates the synchron motor
- Offered in a square or round package
- AC voltage only
- Voltages from 24V to 240V available
- Chart Drives have an anti-backlash device on the final reduction gear that limits output shaft backlash to 1/2 degree or less in most applications
- Motor speeds available from one revolution per week to 1 RPM or faster
- Geartrain reductions available - 6:1, 12:1, 96:1 and 168:1
- Available with clockwise or counterclockwise shaft rotation
- Round chart drive has an enclosed geartrain
- Square chart drive has open geartrain

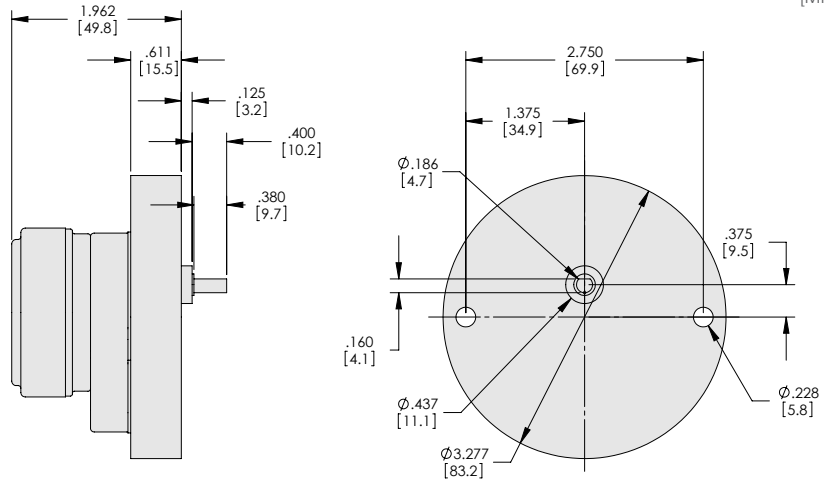
**TYPICAL APPLICATIONS:**

- Chart Recorders



**Round Mount**

INCH  
[MM]



**PERFORMANCE**

SYNCHRON GEARTRAIN	CHART DRIVE	SPEED @ 60 HZ			4 WATTS
		REV/DAY	REV/WEEK	REV/YR	SYNCHRONOUS TORQUE
RATIO:1	RATIO:1				IN-OZ
72,000	6	2		367.5days	36
72,000	12	1			45
36,000	168		1		45
1,890,000	168			1	45