



Series 119-4

Size 19 Step Gear Motor (2" gearbox)

STANDARD FEATURES:

- Rigid construction
- Motor and output sleeve bearings
- Variable lead positioning
- 130° C insulation
- Step angle accuracy range between $\pm 5^\circ$ and $\pm 1.0^\circ$
- Available with 50Hz windings

OPTIONAL FEATURES:

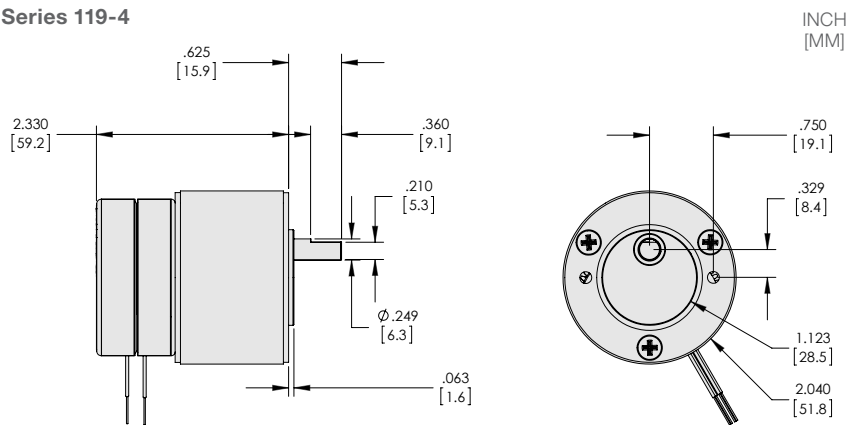
- Voltages up to 240V
- Custom leads and terminations
- Custom stepper motor outputs
- 4 ratios available (12:1; 48:1; 192:1; 768:1)
- Custom shafting
- Rear shaft extensions
- Available with integrated driver/controller

TYPICAL APPLICATIONS:

- Medical Devices
- Instrument Control
- HVAC Control
- ATM Machine
- Robotic Controls
- Lighting Controls
- Voting Machine
- Sun Tracker
- Beverage Dispensing
- Video Games/Gaming Machine
- POP Displays



Series 119-4



Series 119 Part Numbering Example

119-□□□□

Gear Ratio: (If Motor Type 1 - Leave Blank)

Motor Type 2, 3, (5, 30, 100, 150, . . .)
Motor type 4 (12, 48, 192, 768 e.g. 012 = 12:1, 048 = 48:1, 192 = 192:1, 768 = 768:1)

Wattage/Driver Type

DC: 1 = Bipolar | 4 = Unipolar | 7 = Centertap
AC: 2 = 2W | 3 = 3.5W | 5 = 5W

Motor Speed/Step Angle

AC: 3 = 300 RPM | 6 = 600 RPM
DC: 5 = 15 Degrees | 7 = 7.5 Degrees

Rated Voltage (5, 12, 24, 120, or 240)

0 = 5VDC | 1 = 12VDC | 2 = 24VDC | 3 = 24VAC/50Hz | 4 = 24VAC/60Hz
5 = 120VAC/50Hz | 6 = 120VAC/60Hz | 7 = 240VAC/50Hz | 8 = 240VAC/60Hz

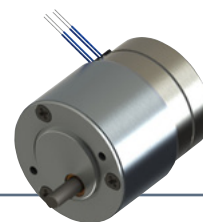
Motor Type

1 = Motor Only
2 = Motor + C Mount Gearbox - Shallow
3 = Motor + P Mount Gearbox - Deep
4 = Motor + 2" Gearbox

Series 119-4

Size 19 Step Gear Motor (2" gearbox)

Continued



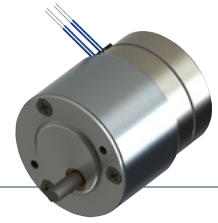
SERIES 119 - 1.9 IN. AC STEPPER 2 IN. GEAR MOTOR

| MOTOR PART NUMBER | VOLTAGE VDC | FREQUENCY HZ | INPUT POWER W | SPEED RPM | GEAR RATIO | CAPACITOR MF | CONTINUOUS TORQUE IN-OZ | INTERMITTENT TORQUE IN-OZ |
|-------------------|-------------|--------------|---------------|-----------|------------|--------------|-------------------------|---------------------------|
| 119-4462012 | 24 | 60 | 2 | 50 | 12 | 5.0 | 100.0 | 200 |
| 119-4462048 | 24 | 60 | 2 | 12.5 | 48 | 5.0 | 100.0 | 200 |
| 119-4462192 | 24 | 60 | 2 | 3.1 | 192 | 5.0 | 350.0 | 700 |
| 119-4463012 | 24 | 60 | 3.5 | 50 | 12 | 8.0 | 100.0 | 200 |
| 119-4463048 | 24 | 60 | 3.5 | 12.5 | 48 | 8.0 | 100.0 | 200 |
| 119-4463192 | 24 | 60 | 3.5 | 3.1 | 192 | 8.0 | 350.0 | 700 |
| 119-4465012 | 24 | 60 | 5 | 50 | 12 | 12.0 | 100.0 | 200 |
| 119-4465048 | 24 | 60 | 5 | 12.5 | 48 | 12.0 | 100.0 | 200 |
| 119-4465192 | 24 | 60 | 5 | 3.1 | 192 | 12.0 | 350.0 | 700 |
| 119-4432012 | 24 | 60 | 2 | 25 | 12 | 5.0 | 100.0 | 200 |
| 119-4432048 | 24 | 60 | 2 | 6.25 | 48 | 5.0 | 100.0 | 200 |
| 119-4432192 | 24 | 60 | 2 | 1.6 | 192 | 5.0 | 350.0 | 700 |
| 119-4433012 | 24 | 60 | 3.5 | 25 | 12 | 8.0 | 100.0 | 200 |
| 119-4433048 | 24 | 60 | 3.5 | 6.25 | 48 | 8.0 | 100.0 | 200 |
| 119-4433192 | 24 | 60 | 3.5 | 1.6 | 192 | 8.0 | 350.0 | 700 |
| 119-4435012 | 24 | 60 | 5 | 25 | 12 | 12.0 | 100.0 | 200 |
| 119-4435048 | 24 | 60 | 5 | 6.25 | 48 | 12.0 | 100.0 | 200 |
| 119-4435192 | 24 | 60 | 5 | 1.6 | 192 | 12.0 | 350.0 | 700 |
| 119-4662012 | 120 | 60 | 2 | 50 | 12 | 0.22 | 100.0 | 200 |
| 119-4662048 | 120 | 60 | 2 | 12.5 | 48 | 0.22 | 100.0 | 200 |
| 119-4662192 | 120 | 60 | 2 | 3.1 | 192 | 0.22 | 350.0 | 700 |
| 119-4663012 | 120 | 60 | 3.5 | 50 | 12 | 0.33 | 100.0 | 200 |
| 119-4663048 | 120 | 60 | 3.5 | 12.5 | 48 | 0.33 | 100.0 | 200 |
| 119-4663192 | 120 | 60 | 3.5 | 3.1 | 192 | 0.33 | 350.0 | 700 |
| 119-4665012 | 120 | 60 | 5 | 50 | 12 | 0.47 | 100.0 | 200 |
| 119-4665048 | 120 | 60 | 5 | 12.5 | 48 | 0.47 | 100.0 | 200 |
| 119-4665192 | 120 | 60 | 5 | 3.1 | 192 | 0.47 | 350.0 | 700 |
| 119-4632012 | 120 | 60 | 2 | 25 | 12 | 0.22 | 100.0 | 200 |
| 119-4632048 | 120 | 60 | 2 | 6.25 | 48 | 0.22 | 100.0 | 200 |
| 119-4632192 | 120 | 60 | 2 | 1.6 | 192 | 0.22 | 350.0 | 700 |
| 119-4633012 | 120 | 60 | 3.5 | 25 | 12 | 0.33 | 100.0 | 200 |
| 119-4633048 | 120 | 60 | 3.5 | 6.25 | 48 | 0.33 | 100.0 | 200 |
| 119-4633192 | 120 | 60 | 3.5 | 1.6 | 192 | 0.33 | 350.0 | 700 |
| 119-4635012 | 120 | 60 | 5 | 25 | 12 | 0.47 | 100.0 | 200 |
| 119-4635048 | 120 | 60 | 5 | 6.25 | 48 | 0.47 | 100.0 | 200 |
| 119-4635192 | 120 | 60 | 5 | 1.6 | 192 | 0.47 | 350.0 | 700 |
| 119-4862012 | 240 | 60 | 2 | 50 | 12 | 0.068 | 100.0 | 200 |
| 119-4862048 | 240 | 60 | 2 | 12.5 | 48 | 0.068 | 100.0 | 200 |
| 119-4862192 | 240 | 60 | 2 | 3.1 | 192 | 0.068 | 350.0 | 700 |
| 119-4863012 | 240 | 60 | 3.5 | 50 | 12 | 0.082 | 100.0 | 200 |
| 119-4863048 | 240 | 60 | 3.5 | 12.5 | 48 | 0.082 | 100.0 | 200 |
| 119-4863192 | 240 | 60 | 3.5 | 3.1 | 192 | 0.082 | 350.0 | 700 |
| 119-4865012 | 240 | 60 | 5 | 50 | 12 | 0.15 | 100.0 | 200 |
| 119-4865048 | 240 | 60 | 5 | 12.5 | 48 | 0.15 | 100.0 | 200 |
| 119-4865192 | 240 | 60 | 5 | 3.1 | 192 | 0.15 | 350.0 | 700 |
| 119-4832012 | 240 | 60 | 2 | 25 | 12 | 0.082 | 100.0 | 200 |
| 119-4832048 | 240 | 60 | 2 | 6.25 | 48 | 0.082 | 100.0 | 200 |
| 119-4832192 | 240 | 60 | 2 | 1.6 | 192 | 0.082 | 350.0 | 700 |
| 119-4833012 | 240 | 60 | 3.5 | 25 | 12 | 0.082 | 100.0 | 200 |
| 119-4833048 | 240 | 60 | 3.5 | 6.25 | 48 | 0.082 | 100.0 | 200 |
| 119-4833192 | 240 | 60 | 3.5 | 1.6 | 192 | 0.082 | 350.0 | 700 |
| 119-4835012 | 240 | 60 | 5 | 25 | 12 | 0.15 | 100.0 | 200 |
| 119-4835048 | 240 | 60 | 5 | 6.25 | 48 | 0.15 | 100.0 | 200 |
| 119-4835192 | 240 | 60 | 5 | 1.6 | 192 | 0.15 | 350.0 | 700 |

Series 119-4

Size 19 Step Gear Motor (2" gearbox)

Continued



119-4

Size 19 Step Gear Motor (2" gearbox)

SERIES 119 - 1.9 IN. DC STEPPER 2 IN. GEAR MOTOR

| MOTOR PART NUMBER | VOLTAGE VDC | DRIVE TYPE | STEP ANGLE (°) | SPEED RPM @ 100PPS | GEAR RATIO | CONTINUOUS TORQUE IN-OZ | INTERMITTENT TORQUE IN-OZ |
|-------------------|-------------|------------|----------------|--------------------|------------|-------------------------|---------------------------|
| 119-4254012 | 24 | Unipolar | 15 | 25.0 | 12 | 100.0 | 200 |
| 119-4254048 | 24 | Unipolar | 15 | 6.3 | 48 | 100.0 | 200 |
| 119-4254192 | 24 | Unipolar | 15 | 1.6 | 192 | 350.0 | 700 |
| 119-4274012 | 24 | Unipolar | 7.5 | 12.5 | 12 | 100.0 | 200 |
| 119-4274048 | 24 | Unipolar | 7.5 | 3.1 | 48 | 100.0 | 200 |
| 119-4274192 | 24 | Unipolar | 7.5 | 0.8 | 192 | 350.0 | 700 |
| 119-4251012 | 24 | Bipolar | 15 | 25.0 | 12 | 100.0 | 200 |
| 119-4251048 | 24 | Bipolar | 15 | 6.3 | 48 | 100.0 | 200 |
| 119-4251192 | 24 | Bipolar | 15 | 1.6 | 192 | 350.0 | 700 |
| 119-4271012 | 24 | Bipolar | 7.5 | 12.5 | 12 | 100.0 | 200 |
| 119-4271048 | 24 | Bipolar | 7.5 | 3.1 | 48 | 100.0 | 200 |
| 119-4271192 | 24 | Bipolar | 7.5 | 0.8 | 192 | 350.0 | 700 |