



STANDARD FEATURES:

- Rigid construction
- Motor and output sleeve bearings
- Variable lead positioning
- 130° C insulation
- Step angle accuracy range between ±5° and ±1.0°
- Available with 50Hz windings

OPTIONAL FEATURES:

- Voltages up to 240V
- Custom leads and terminations
- Custom stepper motor outputs
- 4 ratios available (12:1; 48:1; 192:1; 768:1)
- Custom shafting
- Rear shaft extensions
- Available with integrated driver/controller

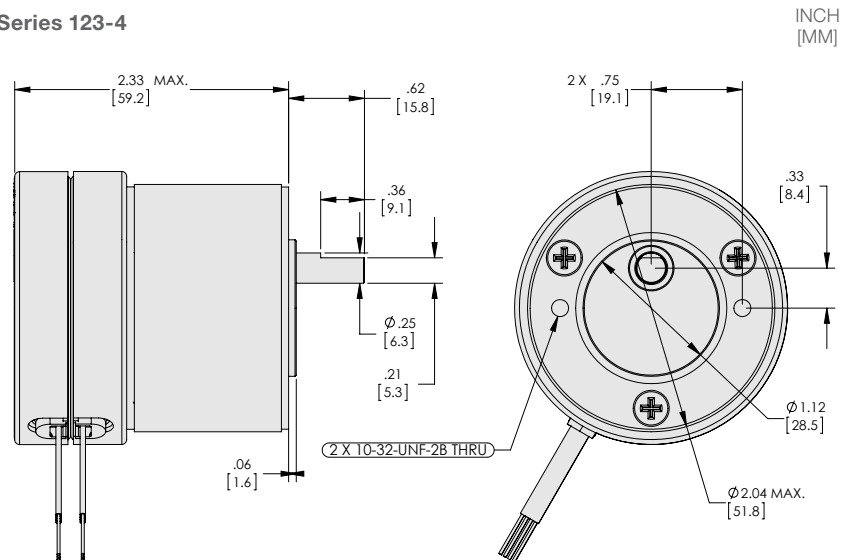
TYPICAL APPLICATIONS:

- Medical Devices
- Instrument Control
- HVAC Control
- ATM Machine
- Robotic Controls
- Lighting Controls
- Voting Machine
- Sun Tracker
- Beverage Dispensing
- Video Games/Gaming Machine
- POP Displays



Series 123 with Optional Controller

Series 123-4



Series 123 Part Numbering Example

123-□□□□□□□□

Gear Ratio: (If Motor Type 1 - Leave Blank)

Motor type 4 (12, 48, 192, 768 e.g. 012 = 12:1, 048 = 48:1, 192 = 192:1, 768 = 768:1)

Wattage/Driver Type

DC: 1 = Bipolar | 4 = Unipolar | 7 = Centertap
AC: 6 = 6W | 8 = 8W | 0 = 10W | 2 = 12W

Motor Speed/Step Angle

AC: 3 = 300 RPM | 6 = 600 RPM
DC: 5 = 15 Degrees | 7 = 7.5 Degrees

Rated Voltage (5, 12, 24, 120, or 240)

0 = 5VDC | 1 = 12VDC | 2 = 24VDC | 3 = 24VAC/50Hz | 4 = 24VAC/60Hz
5 = 120VAC/50Hz | 6 = 120VAC/60Hz | 7 = 240VAC/50Hz | 8 = 240VAC/60Hz

Motor Type

1 = Motor Only
4 = Motor + 2" Gearbox

Series 123-4

Size 23 Step Gear Motor

Continued



SERIES 123 - 23IN DC STEPPER 2IN GEAR MOTOR

MOTOR PART NUMBER	VOLTAGE VDC	DRIVE TYPE	STEP ANGLE (°)	SPEED (RPM) @ 100 PPS	GEAR RATIO	CONTINUOUS TORQUE IN-OZ	INTERMITTENT TORQUE IN-OZ
123-4254012	24	Unipolar	15	25.0	12	100	200
123-4254048	24	Unipolar	15	6.3	48	100	200
123-4254192	24	Unipolar	15	1.6	192	350	700
123-4274012	24	Unipolar	7.5	12.5	12	100	200
123-4274048	24	Unipolar	7.5	3.1	48	100	200
123-4274192	24	Unipolar	7.5	0.8	192	350	700
123-4251012	24	Bipolar	15	25.0	12	100	200
123-4251048	24	Bipolar	15	6.3	48	100	200
123-4251192	24	Bipolar	15	1.6	192	350	700
123-4271012	24	Bipolar	7.5	12.5	12	100	200
123-4271048	24	Bipolar	7.5	3.1	48	100	200
123-4271192	24	Bipolar	7.5	0.8	192	350	700

SERIES 123 - 23IN AC STEPPER 2IN GEAR MOTOR

PART NUMBER	VOLTAGE VAC	FREQUENCY HZ.	INPUT POWER W	SPEED RPM	CAPACITOR MF	GEAR RATIO	CONTINUOUS TORQUE IN-OZ	INTERMITTENT TORQUE IN-OZ
123-4436012	24	60	6	25	12.5	12	100	200
123-4436048	24	60	6	6.25	12.5	48	100	200
123-4436192	24	60	6	1.6	12.5	192	350	700
123-4438012	24	60	8	25	17.0	12	100	200
123-4438048	24	60	8	6.25	17.0	48	100	200
123-4438192	24	60	8	1.6	17.0	192	350	700
123-4430012	24	60	10	25	22.0	12	100	200
123-4430048	24	60	10	6.25	22.0	48	100	200
123-4430192	24	60	10	1.6	22.0	192	350	700
123-4432012	24	60	12	25	26.0	12	100	200
123-4432048	24	60	12	6.25	26.0	48	100	200
123-4432192	24	60	12	1.6	26.0	192	350	700
123-4466012	24	60	6	50	12.5	12	100	200
123-4466048	24	60	6	12.5	12.5	48	100	200
123-4466192	24	60	6	3.1	12.5	192	350	700
123-4468012	24	60	8	50	17.0	12	100	200
123-4468048	24	60	8	12.5	17.0	48	100	200
123-4468192	24	60	8	3.1	17.0	192	350	700
123-4460012	24	60	10	50	22.0	12	100	200
123-4460048	24	60	10	12.5	22.0	48	100	200
123-4460192	24	60	10	3.1	22.0	192	350	700
123-4462012	24	60	12	50	26.0	12	100	200
123-4462048	24	60	12	12.5	26.0	48	100	200
123-4462192	24	60	12	3.1	26.0	192	350	700
123-4636012	120	60	6	25	0.50	12	100	200
123-4636048	120	60	6	6.25	0.50	48	100	200
123-4636192	120	60	6	1.6	0.50	192	350	700
123-4638012	120	60	8	25	0.70	12	100	200
123-4638048	120	60	8	6.25	0.70	48	100	200

Table continues on next page

Series 123-4

Size 23 Step Gear Motor

Continued



123-4

Size 23 Step Gear Motor

SERIES 123 - 23IN AC STEPPER 2IN GEAR MOTOR (Cont.)

PART NUMBER	VOLTAGE VAC	FREQUENCY HZ.	INPUT POWER W	SPEED RPM	CAPACITOR MF	GEAR RATIO	CONTINUOUS TORQUE IN-OZ	INTERMITTENT TORQUE IN-OZ
123-463812	120	60	8	1.6	0.70	192	350	700
123-4630012	120	60	10	25	0.90	12	100	200
123-4630048	120	60	10	6.25	0.90	48	100	200
123-4630192	120	60	10	1.6	0.90	192	350	700
123-4632012	120	60	12	25	1.00	12	100	200
123-4632048	120	60	12	6.25	1.00	48	100	200
123-4632192	120	60	12	1.6	1.00	192	350	700
123-4666012	120	60	6	50	0.47	12	100	200
123-4666048	120	60	6	12.5	0.47	48	100	200
123-4666192	120	60	6	3.1	0.47	192	350	700
123-4668012	120	60	8	50	0.68	12	100	200
123-4668048	120	60	8	12.5	0.68	48	100	200
123-4668192	120	60	8	3.1	0.68	192	350	700
123-4660012	120	60	10	50	0.85	12	100	200
123-4660048	120	60	10	12.5	0.85	48	100	200
123-4660192	120	60	10	3.1	0.85	192	350	700
123-4662012	120	60	12	50	1	12	100	200
123-4662048	120	60	12	12.5	1	48	100	200
123-4662192	120	60	12	3.1	1	192	350	700
123-4836012	240	60	6	25	0.1	12	100	200
123-4836048	240	60	6	6.25	0.1	48	100	200
123-4836192	240	60	6	1.6	0.1	192	350	700
123-4838012	240	60	8	25	0.18	12	100	200
123-4838048	240	60	8	6.25	0.18	48	100	200
123-4838192	240	60	8	1.6	0.18	192	350	700
123-4830012	240	60	10	25	0.22	12	100	200
123-4830048	240	60	10	6.25	0.22	48	100	200
123-4830192	240	60	10	1.6	0.22	192	350	700
123-4832012	240	60	12	25	0.27	12	100	200
123-4832048	240	60	12	6.25	0.27	48	100	200
123-4832192	240	60	12	1.6	0.27	192	350	700
123-4866012	240	60	6	50	0.1	12	100	200
123-4866048	240	60	6	12.5	0.1	48	100	200
123-4866192	240	60	6	3.1	0.1	192	350	700
123-4868012	240	60	8	50	0.18	12	100	200
123-4868048	240	60	8	12.5	0.18	48	100	200
123-4868192	240	60	8	3.1	0.18	192	350	700
123-4860012	240	60	10	50	0.22	12	100	200
123-4860048	240	60	10	12.5	0.22	48	100	200
123-4860192	240	60	10	3.1	0.22	192	350	700
123-4862012	240	60	12	50	0.27	12	100	200
123-4862048	240	60	12	12.5	0.27	48	100	200
123-4862192	240	60	12	3.1	0.27	192	350	700