



STANDARD FEATURES:

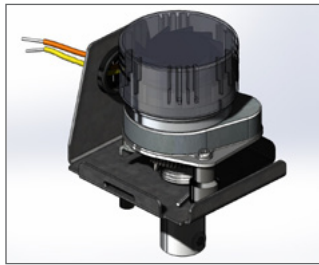
- Actuator Mounting: Set-screw clamping to 5/16 inch diameter damper shaft and anti-rotation pin as shown
- Actuator Rotational Travel: 90 degrees (open to close position)
- Actuator Electrical Connection: Two wire, single phase

OPTIONAL FEATURES:

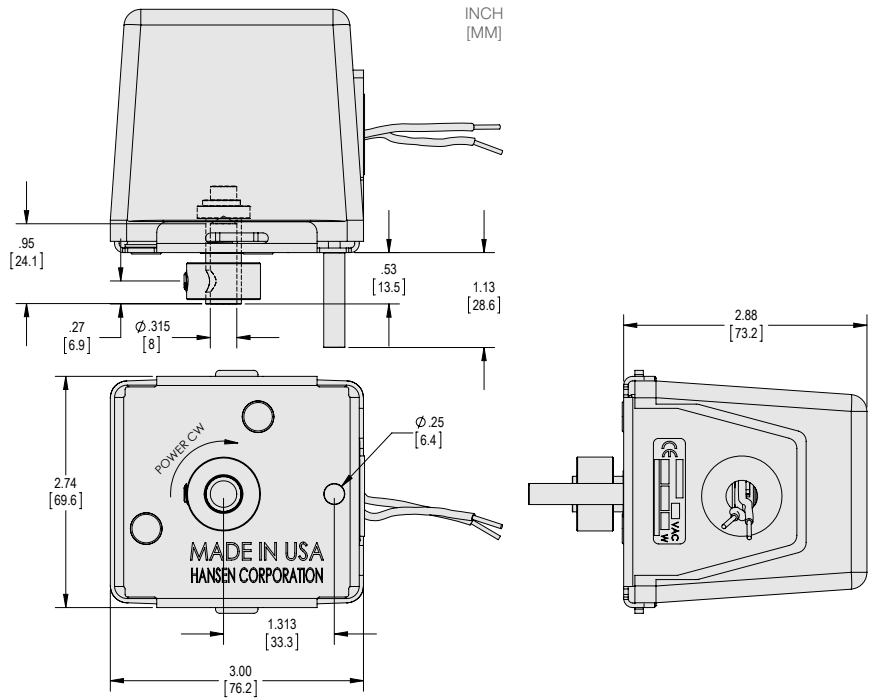
- Alternate springs for higher or lower return forces
- Alternate gear ratios for faster/slower actuation times
- Available with soft finish spring for maximizing life in low friction applications or strong return spring for higher friction applications
- Available in 50 or 60Hz

TYPICAL APPLICATIONS:

- HVAC Dampers
- Material Dispensing



Series 135-6

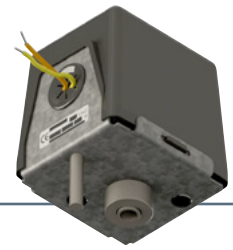


PERFORMANCE

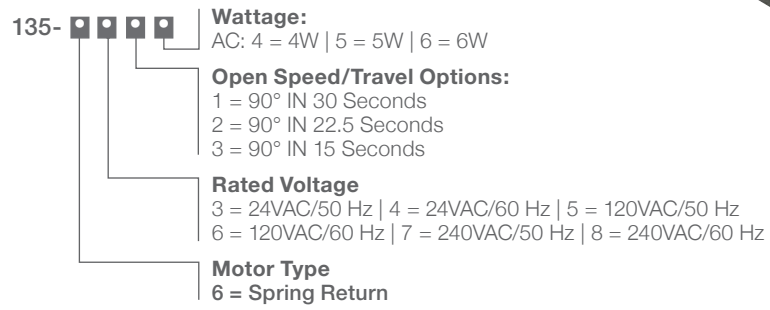
| PART NUMBER | AC INPUT | POWER INPUT | POWER ROTATION | POWER START | POWER FINISH | OPEN TIME | SPRING START | SPRING FINISH | CLOSE TIME |
|-------------|----------|-------------|----------------|-------------|--------------|-----------|--------------|---------------|------------|
| | VOLTS | WATTS | DIRECTION | IN-OZ | IN-OZ | SEC | IN-OZ | IN-OZ | SEC |
| 135-6416 | 24/60 | 6 | CW | 90 | 45 | 30 | 45 | 15 | 8 |
| 135-6616 | 120/60 | 6 | CW | 90 | 45 | 30 | 45 | 15 | 8 |

Series 135-6 Spring Return Actuator

Continued



Series 135
Part Numbering
Example



Custom Shafts

