



**STANDARD FEATURES:**

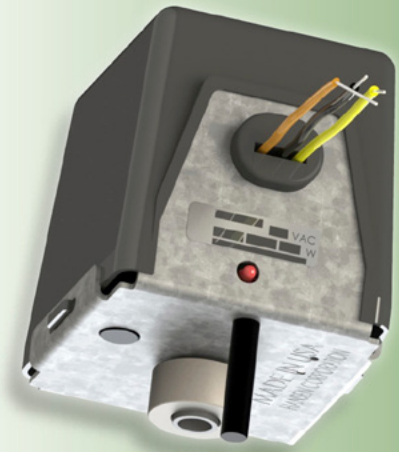
- Actuator Mounting: Set-screw clamping to 5/16 inch diameter damper shaft and anti-rotation pin as shown
- Actuator Rotational Travel: 90 or 180 degrees (open to close position)
- Actuator Electrical Connection: Three wire, single phase, black & orange - CW, black & yellow - CCW
- Available red light at CW limit and green light at CCW limit end of travel

**OPTIONAL FEATURES:**

- Alternate gear ratios for faster/slower actuation times
- Available in 50 or 60Hz

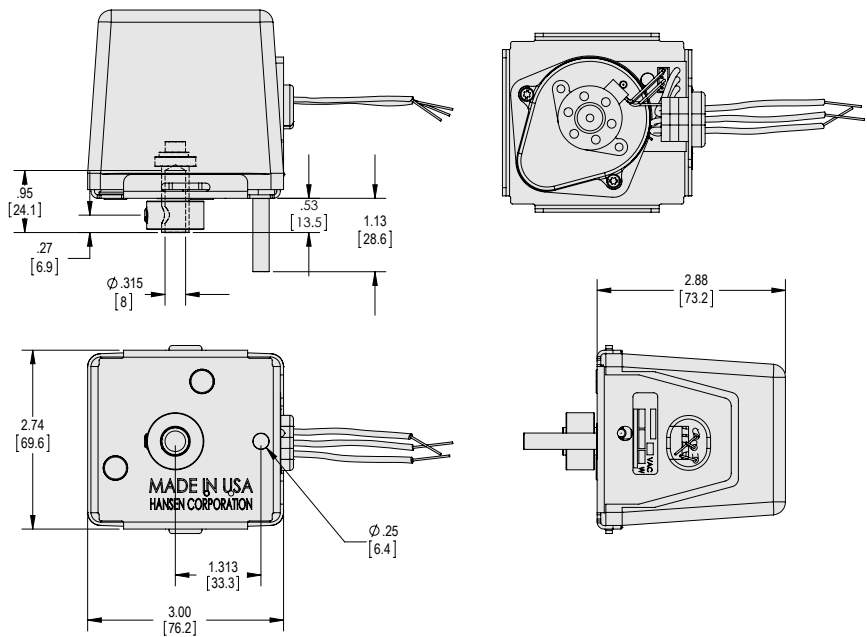
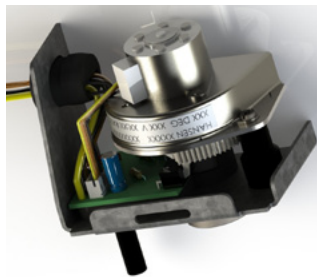
**TYPICAL APPLICATIONS:**

- HVAC Dampers
- Material Dispensing



Series 135-7

INCH  
[MM]



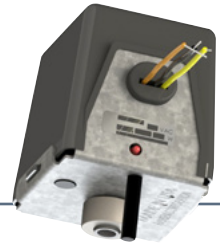
**PERFORMANCE**

PART NUMBER	AC INPUT	POWER INPUT	POWER ROTATION	MOTOR SPEED	START TORQUE	HOLD TORQUE	TRAVEL TIME	OVERALL TRAVEL
	VOLTS	WATTS	DIRECTION	RPM	IN-OZ	IN-OZ	SEC	DEG.
135-7410	24/60	1	Both	4	78.5	78.5	30	90
135-7420	24/60	1	Both	8	40	40	15	90
135-7430	24/60	1	Both	4	78.5	78.5	60	180
135-7440	24/60	1	Both	8	40	40	30	180

# Series 135-7

## POPC (Power Open/Power Close)

Continued



**Series 135**  
**Part Numbering**  
**Example**

135-□□□□

**Wattage:**  
AC: 0 = 1W

**Open Speed/Travel Options:**

- 1 = 90° IN 30 Seconds
- 2 = 90° IN 15 Seconds
- 3 = 180° IN 60 Seconds
- 4 = 180° IN 30 Seconds

**Rated Voltage**  
4 = 24VAC/60 Hz

**Motor Type**  
7 = AC POPC