



STANDARD FEATURES:

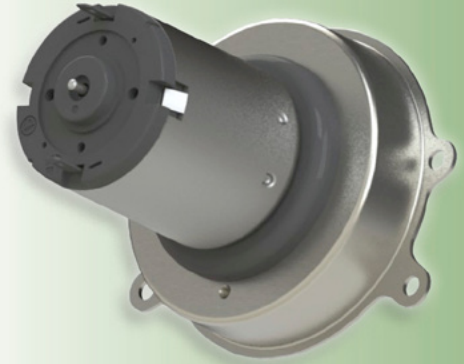
- Reinforced plastic and metal gearing
- Hardened steel output shaft
- Reversible
- Speeds from 2250 to 120 revolutions per hour available

OPTIONAL FEATURES:

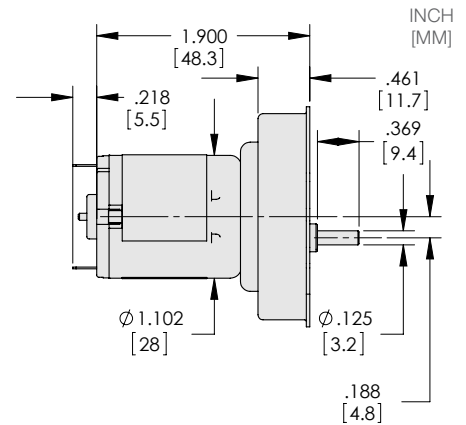
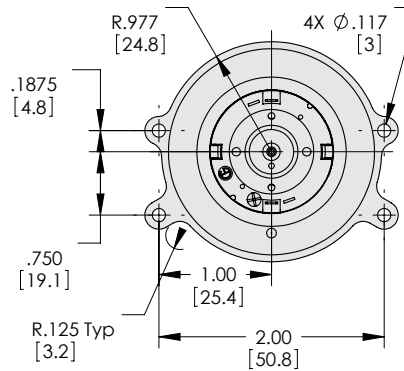
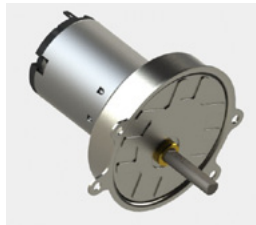
- Customized shafts
- Customized lead harnesses
- Gearboxes
 - PMAC Gearbox (All plastic gears) (Series 148-4)
 - Synchron Gearboxes Round (Type "A" mount) (Series 148-6)
 - Pear (Type "C" mount) (Series 148-5)

TYPICAL APPLICATIONS:

- Cutting Tools
- Medical Devices
- POP Displays
- Rotating Lighting
- Robotics
- Beverage Dispensing
- Gaming/Recreational Machines



Series 148-6



Series 148 Part Numbering Example

148-**4**-**001**-**12**

Gear Ratio

Synchron Gearbox (Round or Pear)
60, 100, 150, 300, or 600

PMAC Gearbox

10, 100, 166, 200, 249, 300, 497, 600, or 896

148-5 & 148-6 Output Type - Select From Standard Catalog Offerings For Synchron Gearboxes
(Eg. 001 = Type 1, 070 = Type 70, 146 = Type 146 Etc.)
148-4 Output Type Reference = 173

Rated Voltage

(12 or 24)

Motor Type:

4 = Motor, PMAC Gearbox
5 = Motor, Synchron Gearbox (Pear), C-mount
6 = Motor, Synchron Gearbox (Round), A-mount

Series 148-6

DC Gear Motor (A-mount)

Continued



PERFORMANCE

PART NUMBER	RATIO	VOLTS NOM	NO LOAD SPEED	NO LOAD CURRENT	LOAD SPEED	LOAD TORQUE	LOAD CURRENT	MAX. THEORETICAL TORQUE (* INDICATES GEARBOX LIMIT)			DIM "A" MAX INCH [mm]
			WNL	INL	W	TL	IL	IN-OZ REF.	R.P.M. REF.	AMPS REF.	
			R.P.M.	AMPS	R.P.M.	IN-OZ REF.	AMPS				
			NOM.	MAX.	NOM.	REF.	MAX.				
148-612001-60	60:1	12	57	0.06	32	11	0.12	22*	8	0.2	1.900 [48.3]
148-612001-100	100:1		34	0.06	25	19	0.13	38	STALL	0.2	
148-612001-150	150:1		23	0.06	12	27	0.13	54*	STALL	0.2	
148-612001-300	300:1		11	0.06	9	24	0.09	48*	7	0.2	
148-612001-600	600:1		6	0.06	5	32	0.08	64*	4	0.1	
148-624001-60	60:1	24	115	0.06	90	11	0.12	22*	65	0.2	
148-624001-100	100:1		70	0.06	51	19	0.13	53*	20	0.3	
148-624001-150	150:1		46	0.06	35	27	0.13	54*	24	0.2	
148-624001-300	300:1		23	0.06	21	24	0.09	48*	18	0.2	
148-624001-600	600:1		12	0.06	11	32	0.08	64*	10	0.1	